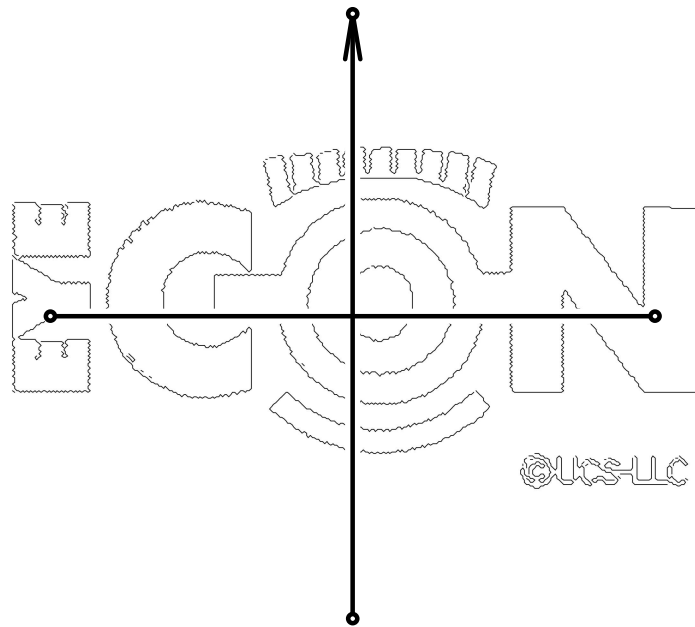


MIN2_31



Design Size (w, h): 90.0 x 44.6 mm